




The Lomond is a rugged, flameproof T8 fluorescent luminaire. It features an integrated mounting channel for universal installation. The aluminium and glass construction make the Lomond highly resistant to aggressive chemical agents.

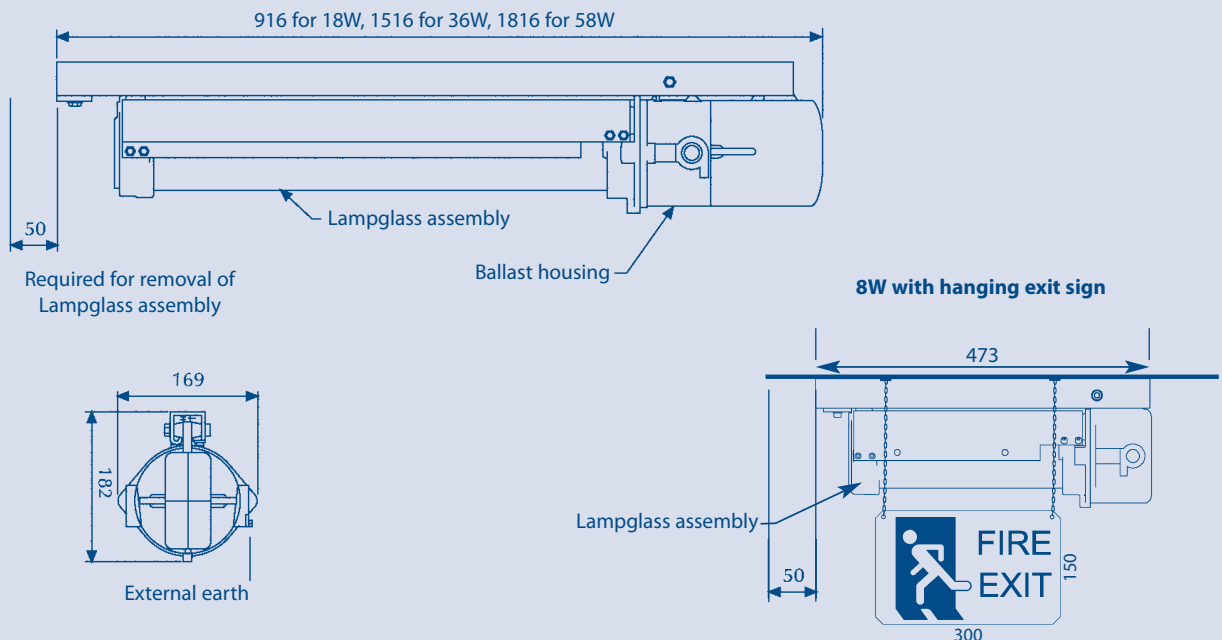
The luminaire is available in single and twin lamp versions including an eight watt version for over door emergency exit marking.

Standard Specification		Features
Type of Protection	Ex d (flameproof), Ex dm (flameproof encapsulation) emergency version	Quick lamp start, flicker free
ATEX Classification	Group II Category 2 GD	High frequency electronic control gear
Area Classification	Zone 1 and 21 areas to EN 60079-10-1 and EN 60079-10-2 with installation to EN 60079-14	Cool running improves T-rating
Certificate	EC Type Examination Certificate SIRA05ATEX1299X	Standard support channel allows for multiple fixing centres and options
Coding	⊕ II 2 GD Ex d IIC (8W & 18W) ⊕ II 2 GD Ex d IIB (36W)	Suitable for high ambient areas
Enclosure	Aluminium alloy LM6 to BS 1490 (AC44100)	<b>Optional Exit Sign Kit for Emergency Escape Route Lighting</b>
Reflector/Geartray	Borosilicate glass overtube, painted steel reflector	
Entry	2 x M20 cable entries	
Termination	3 core 4mm <sup>2</sup> max. conductor with looping 4 core 4mm <sup>2</sup> max connectors on emergency	
Installation	Via steel support rail	
Control Gear	High Frequency	
Relamping	Two socket head screws and tapered spigotted flamepath	<b>International Approvals</b>
Burning Position	Universal	
Ingress Protection	Ingress protection to IP66, IP67 and IP68	ATEX and GOST
Electrical Supply	Non Emergency: 220V - 240V 50/60Hz (8W) 120V - 254V 50/60Hz (18W) 110V - 130V 50/60Hz (36W - /120) 220V - 254V 50/60Hz (36W, 58W) Emergency: 220V - 254V 50/60Hz (18W, 36W, 58W) 110V - 130V 50/60Hz (18W, 36W - /120) 3 hours	
Emergency Duration		

Std. Cat No.	Wattage	Lamp	TClass	T°C (Dust)	Ambient °C	Weight
LOMD/108/BI	1x8W	T5	T6	85	-20 to +55	5.0kg
LOMD/208/BI	2x8W	T5	T6	85	-20 to +55	5.5kg
LOMD/218/BI	2x18W	T8	T6	85	-20 to +55	9.0kg
LOMD/136/BI	1x36W	T8	T6	85	-20 to +53	13.0kg
		T8	T5	100	-20 to +55	
LOMD/236/BI	2x36W	T8	T6	85	-20 to +53	13.0kg
		T8	T5	100	-20 to +55	
LOMD/158/BI	1x58W	T8	T6	85	-22 to +49	15.0kg
		T8	T5	100	-22 to +55	
LOMD/258/BI	2x58W	T8	T6	85	-20 to +49	15.0kg
		T8	T5	100	-20 to +55	
LOMD/108/BI/EM	1x8W	T5	T6	85	-20 to +55	10.5kg
LOMD/218/BI/EM	2x18W	T8	T6	85	-20 to +55	13.5kg
LOMD/236/BI/EM	2x36W	T8	T5	100	-20 to +52	20.0kg
		T8	T6	85	-20 to +55	
LOMD/258/BI/EM	2x58W	T8	T5	100	-20 to +48	22.3kg

## Options – Suffix to Catalogue No.

/M25	M25 cable entries	/IIC	Suitable for IIC gas areas (8W and 18W only)
/SR	Stainless steel support rail		
/NM	Non maintained (1x8W only)	/120	110 - 130V supply



Accessories Should be ordered separately

Catalogue Order Code

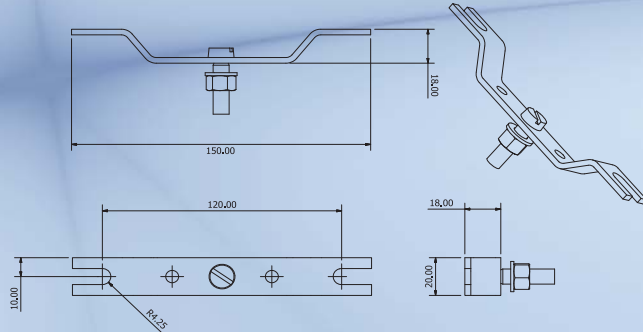
For details of accessories please see overleaf

Product design and specifications are subject to change without notice, please check the Chalmit® website for latest specifications.



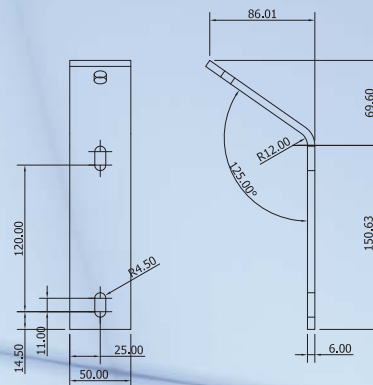
## Ceiling Mounting Bracket Assembly

Cat No. SLOMD-000001



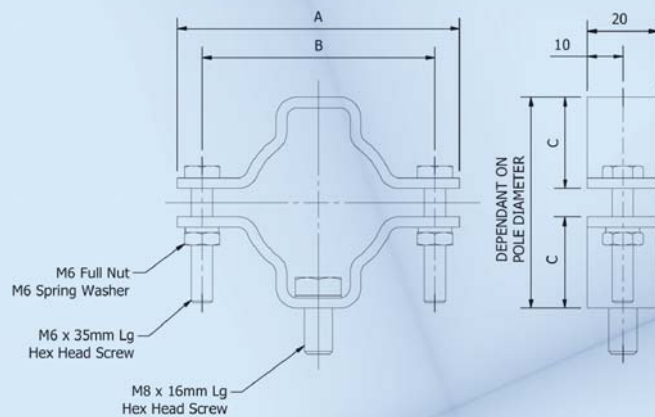
## Wall Mounting Bracket Assembly

Cat No. SLOMD-000003



## Pole Mounting Bracket Assembly

Cat No. SPOL4-100007/100008/100009

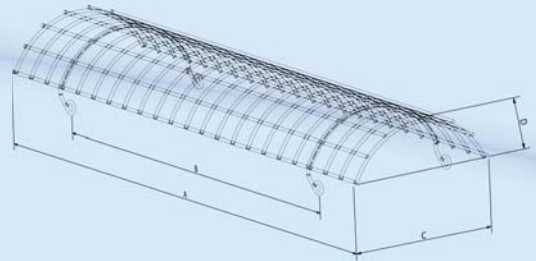
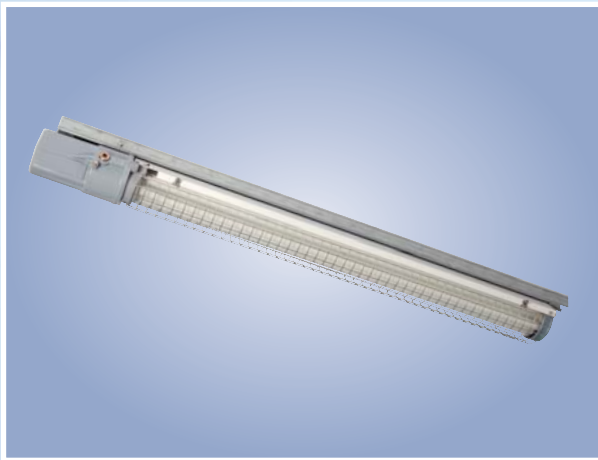


Pole mounting bracket to suit pole diameter  
 (38-42mm) SPOL4-100007  
 (48-52mm) SPOL4-100008  
 (58-62mm) SPOL4-100009

PART DETAILS				
Part Code	Part Description	A	B	C
SPOL4-100007	POLE MTG 38-42 P/M ASSY	80mm	66mm	26mm
SPOL4-100008	POLE MTG 48-52 P/M ASSY	90mm	76mm	32mm
SPOL4-100009	POLE MTG 58-62 P/M ASSY	96mm	80mm	38mm

S/S Wire Guard

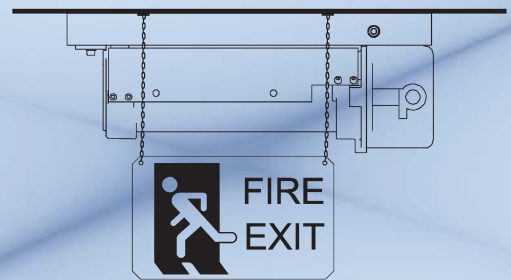
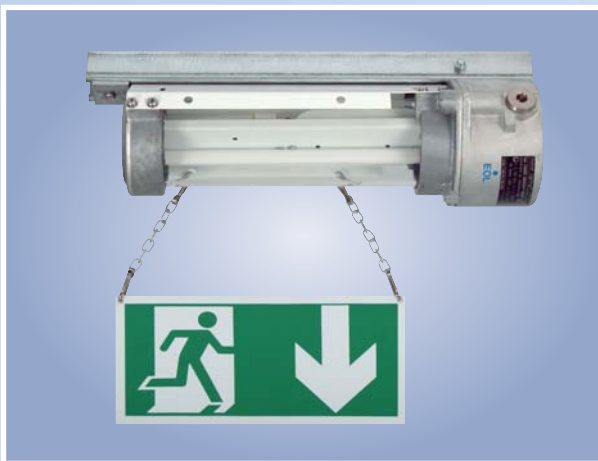
Cat No. SLOMD-000037/000038/000039/000040



Fitting Length	Dimension Table			
	Dim A	Dim B	Dim C	Dim D
8W (1ft)	282	152	146	68
18W (2ft)	562	406	146	68
36W (4ft)	1171	991	146	68
58W (5ft)	1476	1295	146	68

Hanging Exit Sign

Cat No. SPATE-00005/00006/00007/00008/00009



Self Adhesive Exit Sign Kit

Cat No. SPATE-00012

